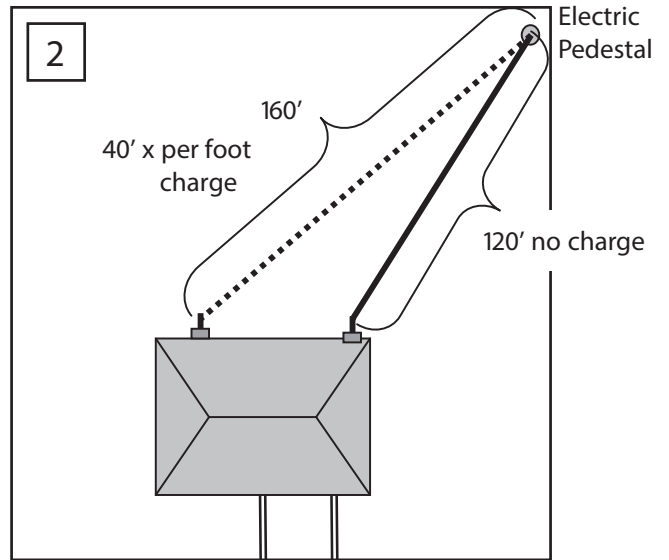
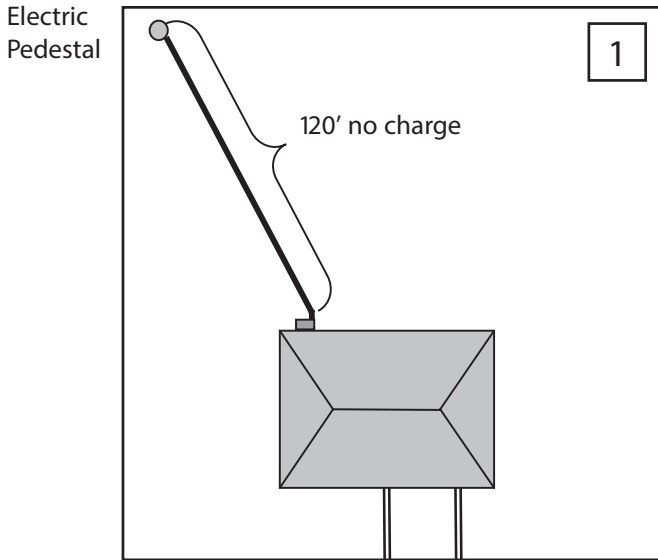
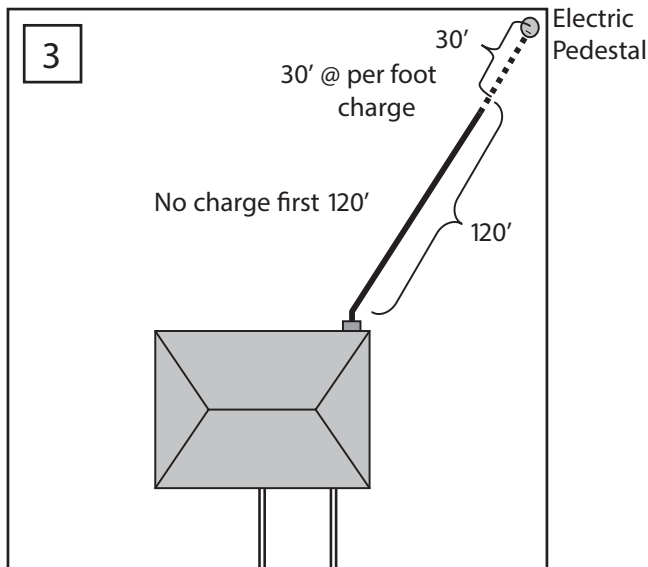


MGE electric service route guide

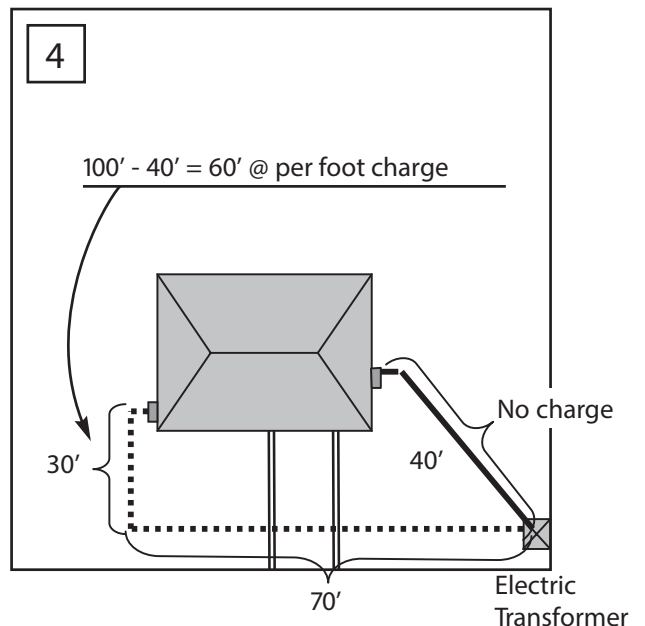
Single-phase



Standard single-phase service lateral up to 120'.



Per foot charge for difference between chosen location and the nearest point.



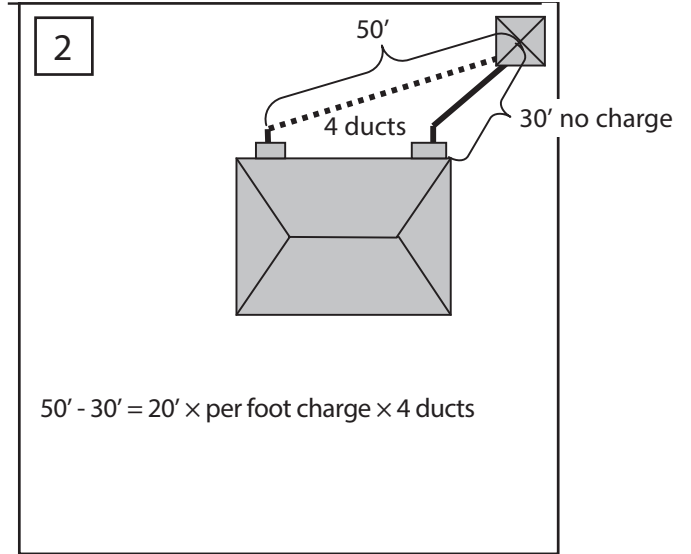
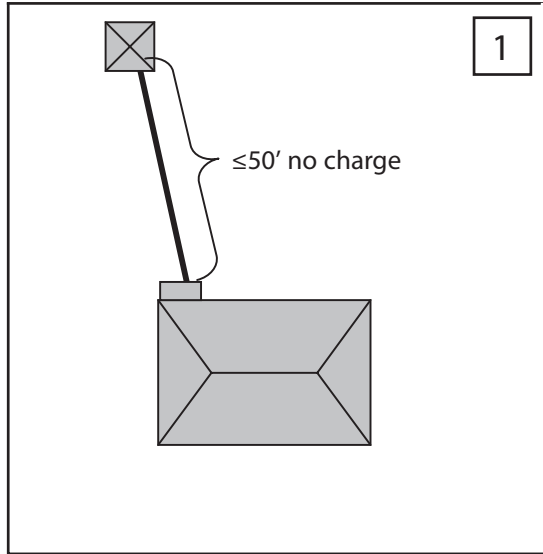
All new services are subject to winter charges from December 1 through April 1 each year.

Charges subject to change.

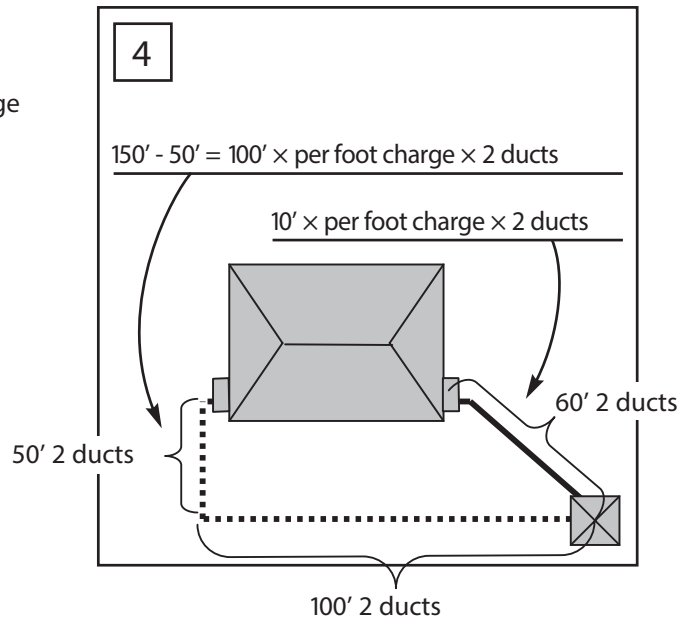
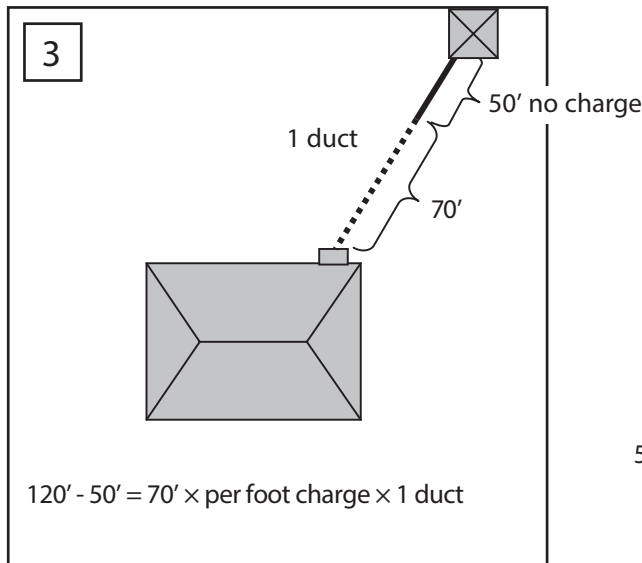
(Turn over for three-phase).

MGE electric service route guide

Three-phase



Standard three-phase service lateral up to 50'.



All new services are subject to winter charges from December 1 through April 1 each year.
Charges subject to change.