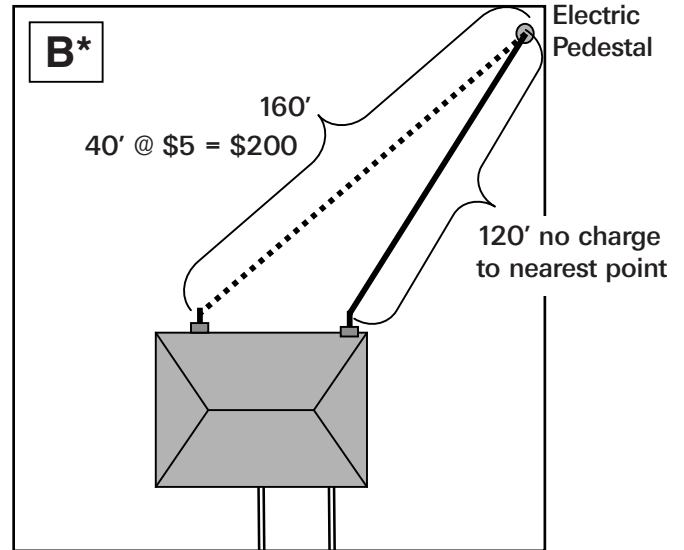
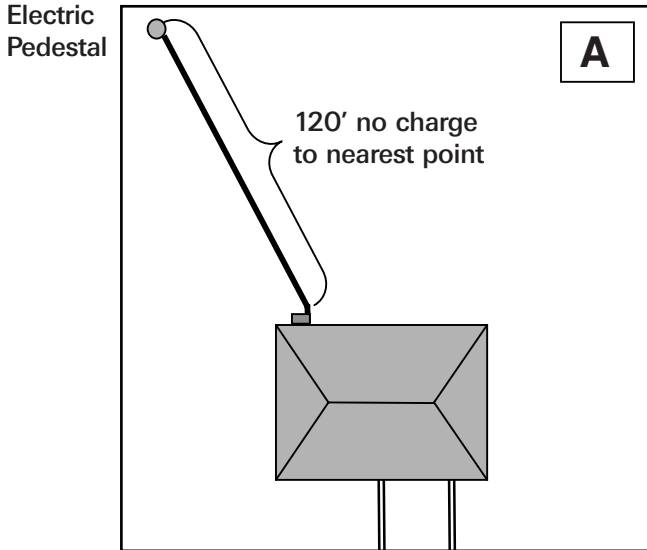
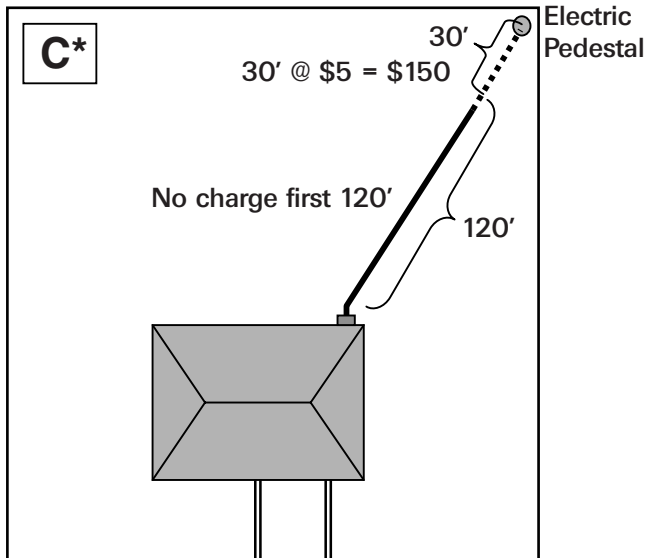


# MGE electric service route guide

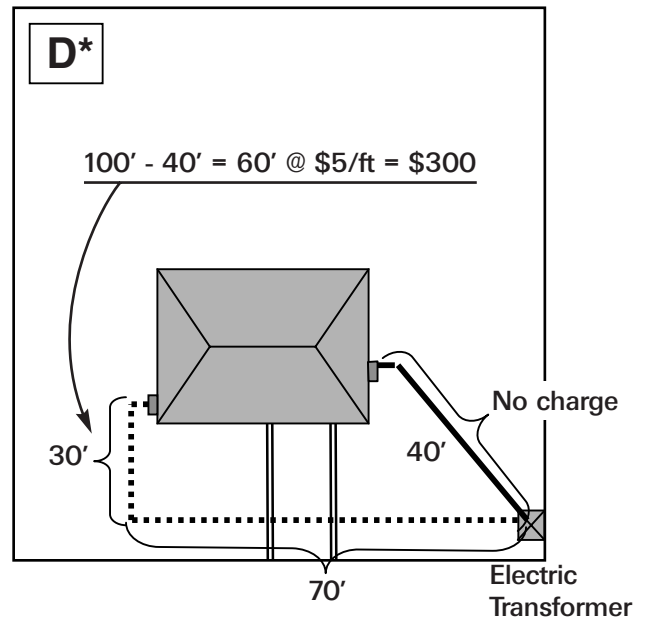
## Single-phase



**No charge for standard service lateral to nearest point up to 120'.**



\*\$5 per foot charge for difference between chosen location and the nearest point.



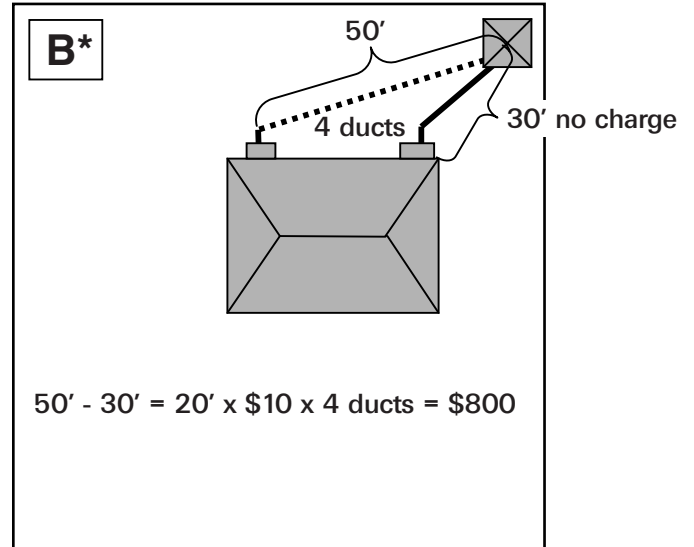
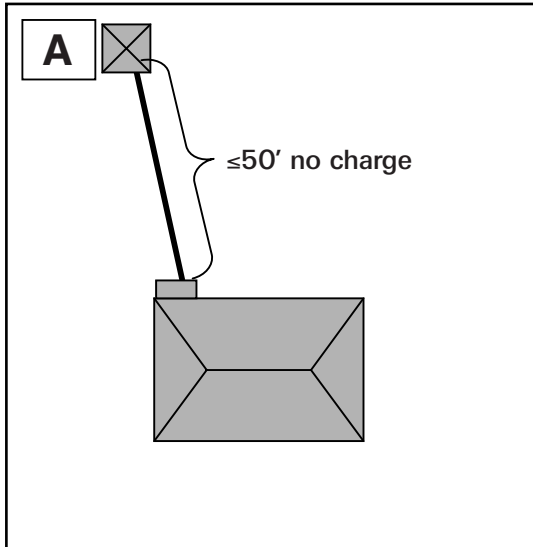
All new services are subject to winter charges from December 1 through April 1 each year.

Charges subject to change.

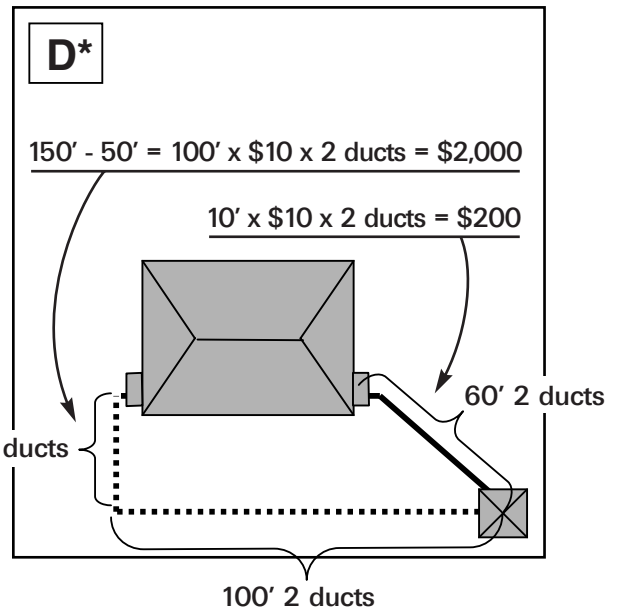
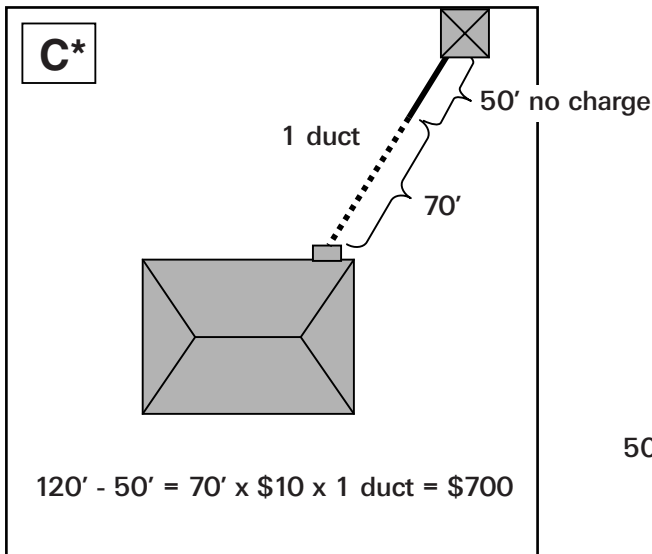
(Turn over for three-phase).

# MGE electric service route guide

## Three-phase



Standard three-phase service lateral to nearest point up to 50'.



\*\$10 per foot per duct for difference between chosen location and nearest point.

All new services are subject to winter charges from December 1 through April 1 each year.  
Charges subject to change.